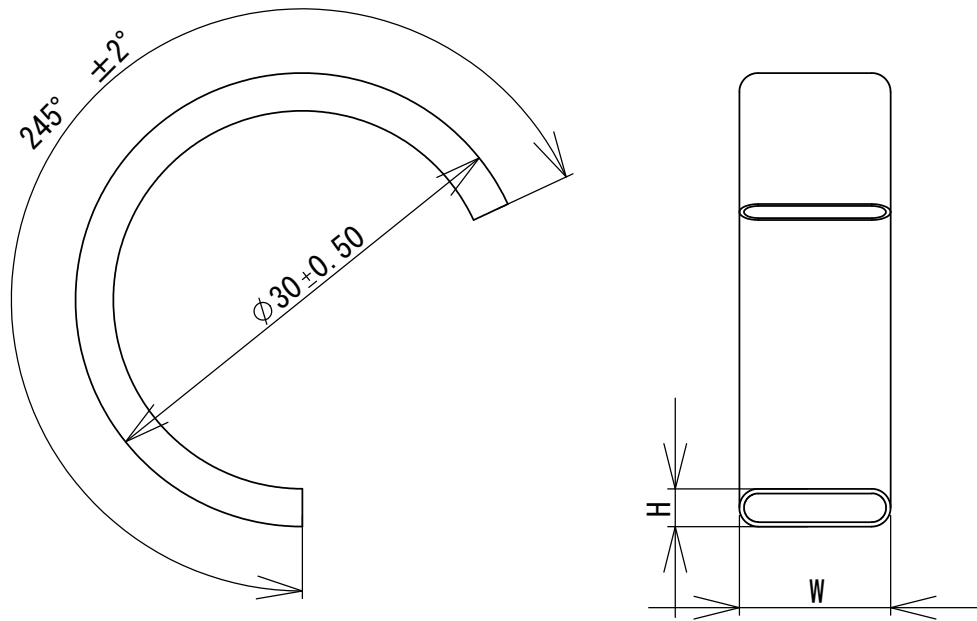


Unless otherwise specified: Dimensions are in Millimeters			
Nominal size			
0.5 - 3.0:	±0.05	Surface Finish:	
3.0 - 6.0:	±0.1	Radius:	
6.0 - 30:	±0.2	Corner:	
30 - 120:	±0.3	Liner:	
120 - 315:	±0.5	Angular:	±2°
315 - 1000:	±0.8		



### Debur and Break Sharp Edges



Scale (2:1)

Pressure Range (MPa)	Section Type	W	H	Tip Travel	Pressure Range (MPa)	Section Type	W	H	Tip Travel
		±0.20mm	±0.20mm	±0.15mm			±0.20mm	±0.20mm	±0.15mm
					0-4.0	B/C	9.8	2.6	3.0
					0-2.5	B/C	9.8	2.6	3.0
					0-1.6	B	10.0	2.6	3.0
					0-1.0	B	10.2	2.6	3.0
					0-0.6	B	10.2	2.4	3.0
					0-0.4	B	10.2	2.4	3.0
					0-0.25	B	10.1	2.3	3.0
					0-0.16	A/B			3.0
					0-0.1	A	10.7	2.0	3.0

Parts Name: C-Type Bourdon Tube 30 mm OD

Material: C2680 (C2300 C5191)  
CuZn35 (CuZn15 CuSn6)

Drawn: Kaz Miyasaka  
Date: 2003/08/26

Drawing No. C30

**FUJI BURUDON MFG CO LTD**

**Proprietary and Confidential**

The information contained in this drawing is the sole property of Fuji Burudon MFG. Any reproduction in part or as a whole without the written permission of Fuji Burudon MFG. is prohibited.