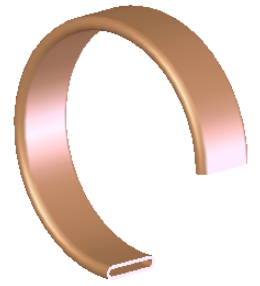
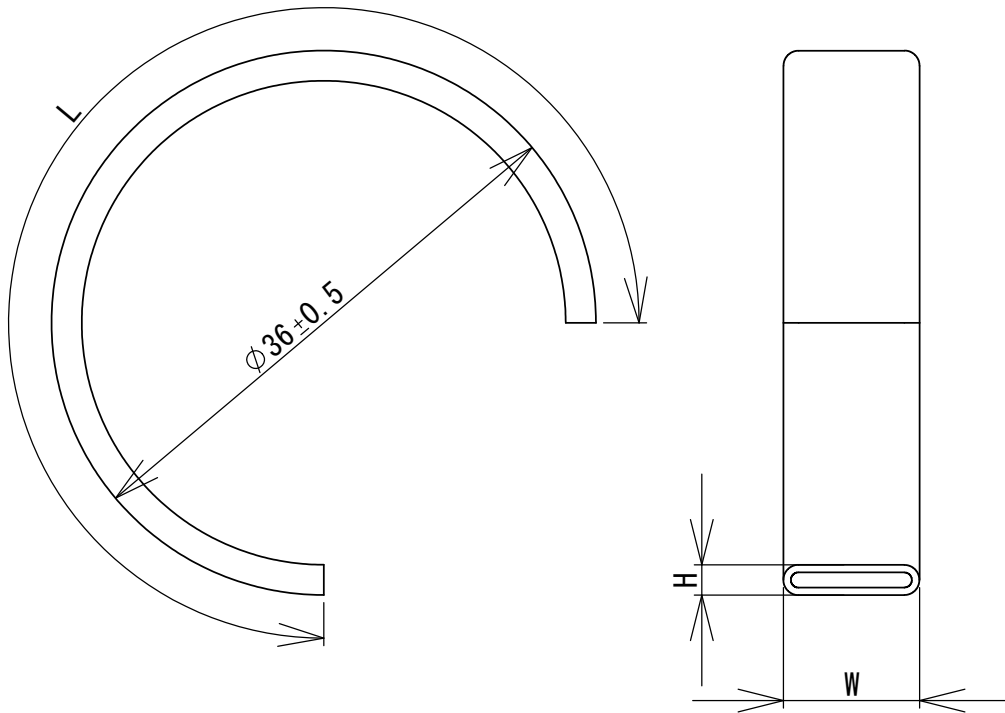


Unless otherwise specified: Dimensions are in Millimeters			
Nominal size		Surface Finish:	
0.5 - 3.0:	±0.05	Radius:	
3.0 - 6.0:	±0.1	Corner:	
6.0 - 30:	±0.2	Liner:	
30 - 120:	±0.3	Angular:	±2°
120 - 315:	±0.5		
315 - 1000:	±0.8		



### Debur and Break Sharp Edges



Scale (2:1)

Outer Diameter	Section Type	W	H	L*
		±0.50mm	±0.50mm	±5mm
36	C	9.5	2	82

L\* The cut length primary to form bourdon tube.

Parts Name: Bourdon Tube for Thermometer 36 mm OD

Material: C6872  
CuZn20 Al2

Drawn: Kaz Miyasaka  
Date: 2004/11/08

Drawing No. C36T

**FUJI BURUDON MFG CO LTD**

**Proprietary and Confidential**  
The information contained in this drawing is the sole property of Fuji Burudon MFG. Any reproduction in part or as a whole without the written permission of Fuji Burudon MFG. is prohibited.