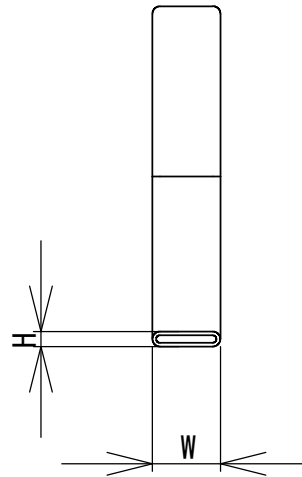
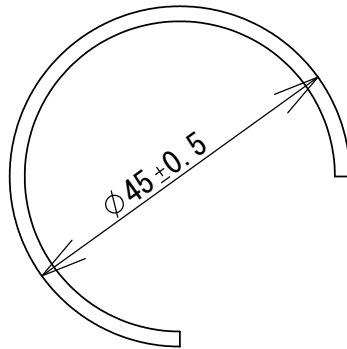
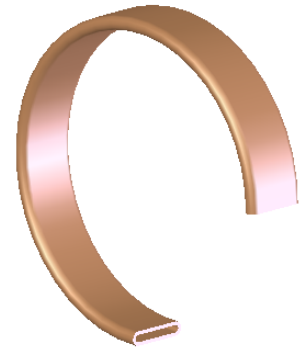


Unless otherwise specified: Dimensions are in Millimeters				
Nominal size				
0.5 - 3.0:	±0.05	Surface Finish:		
3.0 - 6.0:	±0.1	Radius:		
6.0 - 30:	±0.2	Corner:		
30 - 120:	±0.3	Liner:		
120 - 315:	±0.5	Angular:	±2°	
315 - 1000:	±0.8			

Debur and Break Sharp Edges



Scale (1:1)

L* The cut length primary to form bourdon tube.

Outer Diameter	Section Type	W	H	L*
		±0.50mm	±0.50mm	±5mm
45	C	9.7	2.0	107

Parts Name: Bourdon Tube for Thermometer 45 mm OD

Material: C5191 CuSn6

Drawn: Kaz Miyasaka
Date: 2004/11/08

Drawing No. C45T

FUJI BURUDON MFG CO LTD

Proprietary and Confidential

The information contained in this drawing is the sole property of Fuji Burudon MFG. Any reproduction in part or as a whole without the written permission of Fuji Burudon MFG. is prohibited.