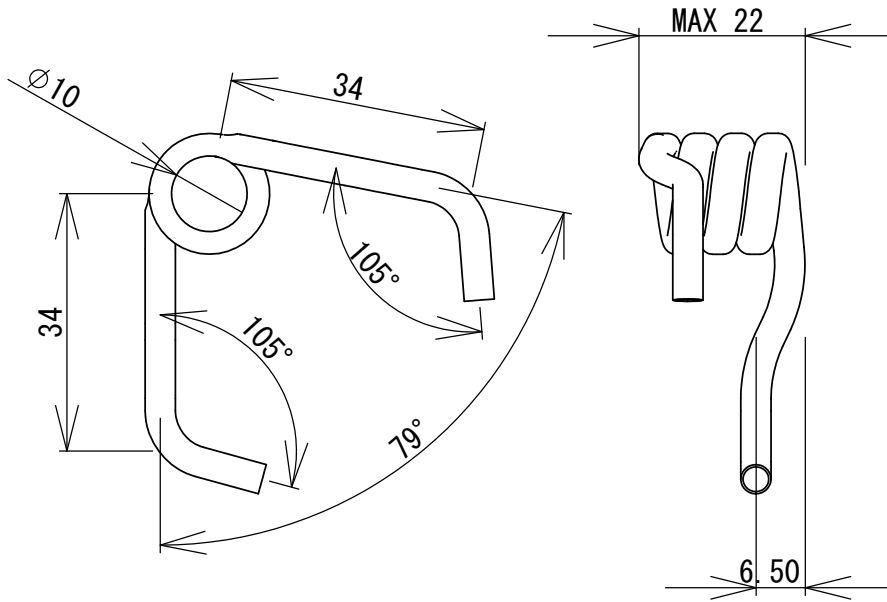
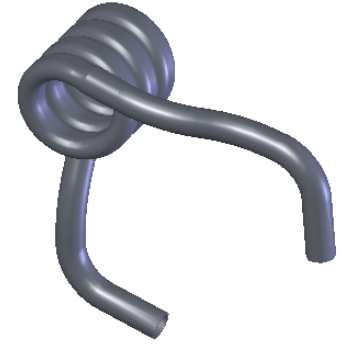


Unless otherwise specified: Dimensions are in Millimeters			
Nominal size			
0.5 - 3.0:	±0.05	Surface Finish:	
3.0 - 6.0:	±0.1	Radius:	
6.0 - 30:	±0.2	Corner:	
30 - 120:	±0.3	Liner:	
120 - 315:	±0.5	Angular:	±2°
315 - 1000:	±0.8		

Debur and Break Sharp Edges



Scale (1:1)

Pressure Range (MPa)	Coils	Tube OD (mm)	Tip Travel ±0.20mm	Pressure Range (MPa)	Coils	Tube OD (mm)	Tip Travel ±0.20mm
				0-100	Triple	4.0	3.0
				0-60	Triple	4.0	3.0
				0-40	Triple	4.0	3.0
				0-25	Triple	4.0	3.0
				0-16	Triple	4.0	3.0
				0-10	Triple	4.0	3.0
				0-6	Triple	4.0	3.0

Parts Name: Helical Tube for 60mm/2.5"	Material: SUS316 AISI316	Drawn: Kaz Miyasaka Date: 2003/09/15
Drawing No. HT60SS	Proprietary and Confidential The information contained in this drawing is the sole property of Fuji Burudon MFG. Any reproduction in part or as a whole without the written permission of Fuji Burudon MFG. is prohibited.	
FUJI BURUDON MFG CO LTD		